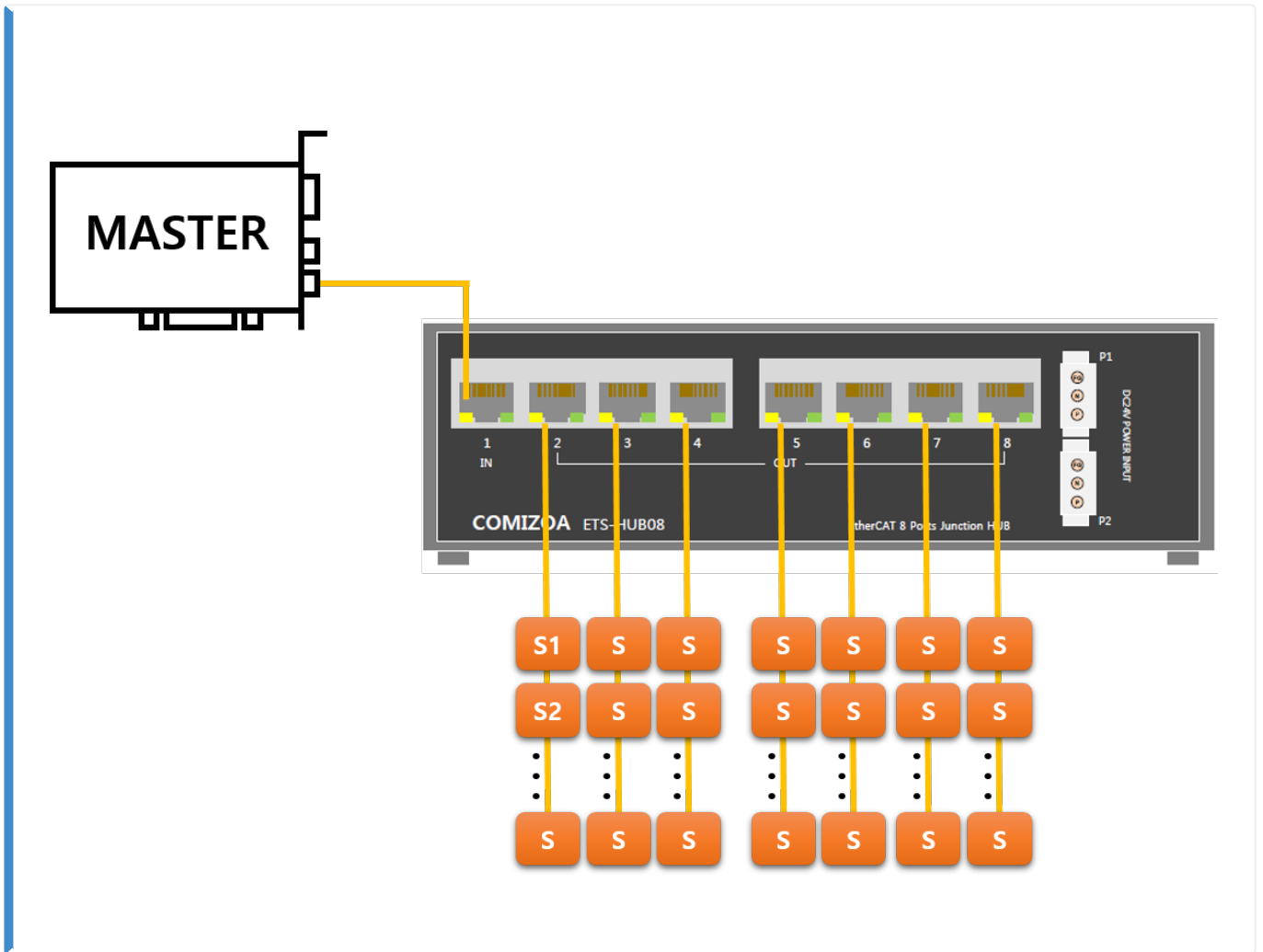


..... 1

..... 1

..... 1

x



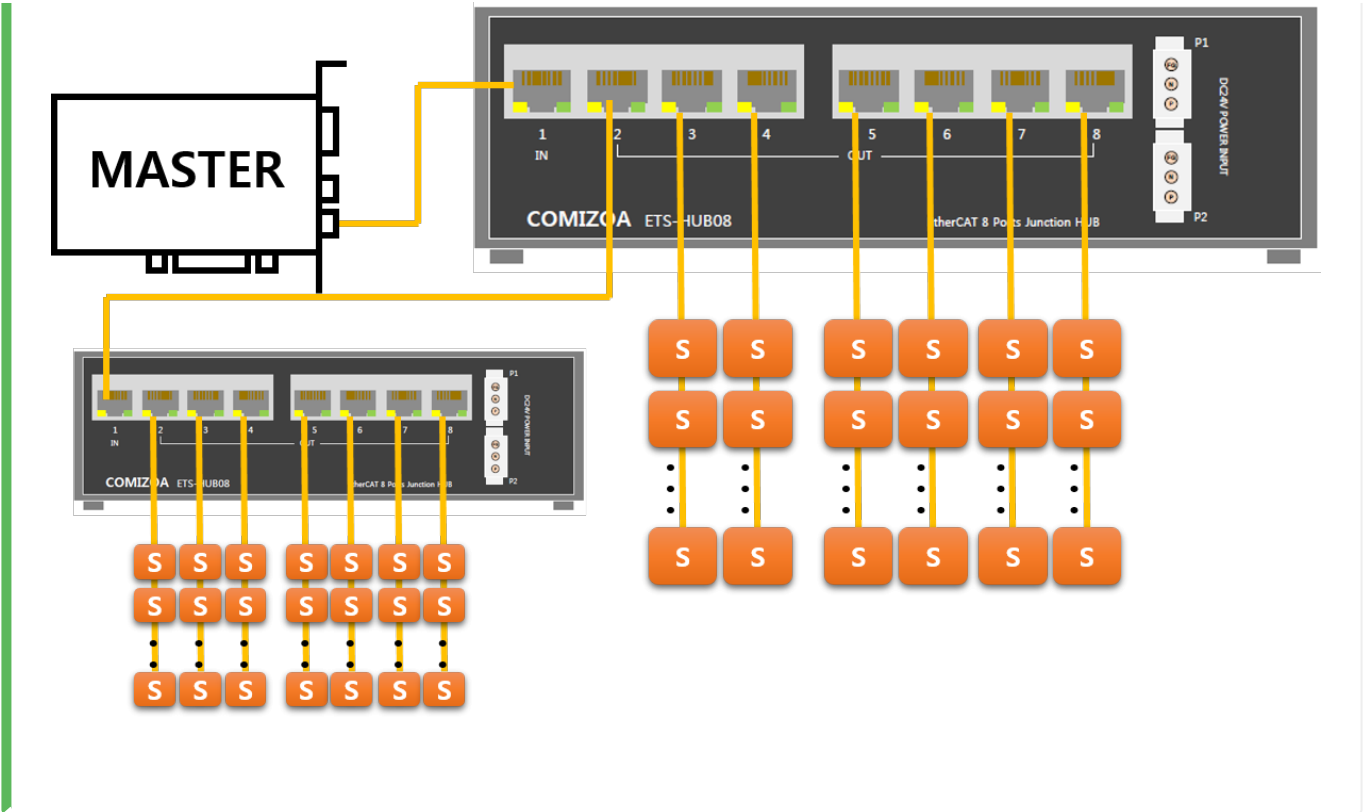
• EtherCAT-HUB

가

- 1 'ECAT IN', 'ECAT OUT'
- 4 , 1 - 'ECAT IN' / 2,3,4 - 'ECAT OUT'
- 6 , 1 - 'ECAT IN' / 2,3,4,5,6 - 'ECAT OUT'
- 8 , 1 - 'ECAT IN' / 2,3,4,5,6,7,8 - 'ECAT OUT'
-

• 가 Disconnect

• 가 , Disconnect



• 가 .

x 가 가
2

From:

<http://comizoa.com/info/> - -

Permanent link:

http://comizoa.com/info/doku.php?id=platform:ethercat:1_setup:05_topology:20_tree&rev=1608095691

Last update: **2024/07/08 18:22**