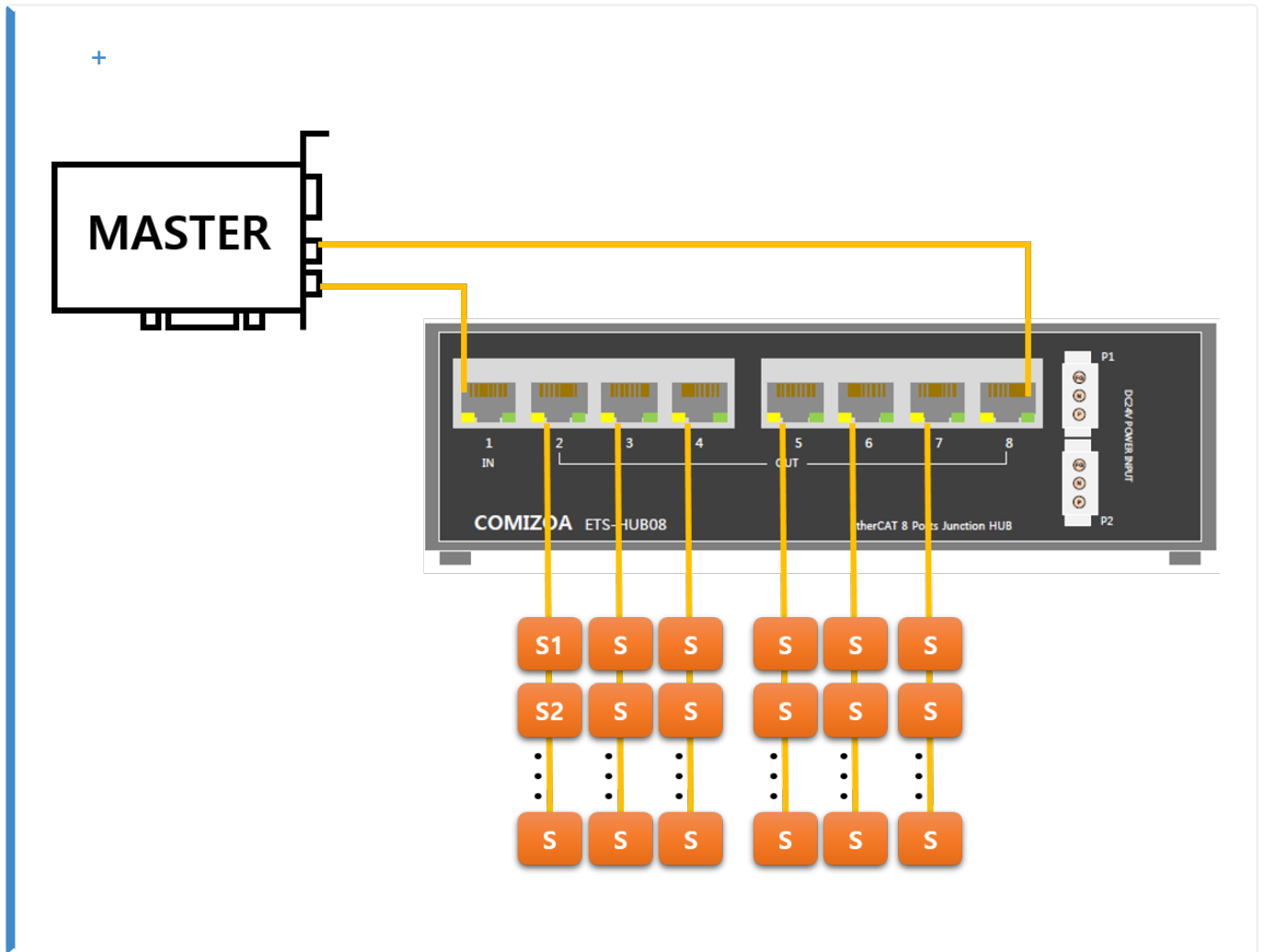


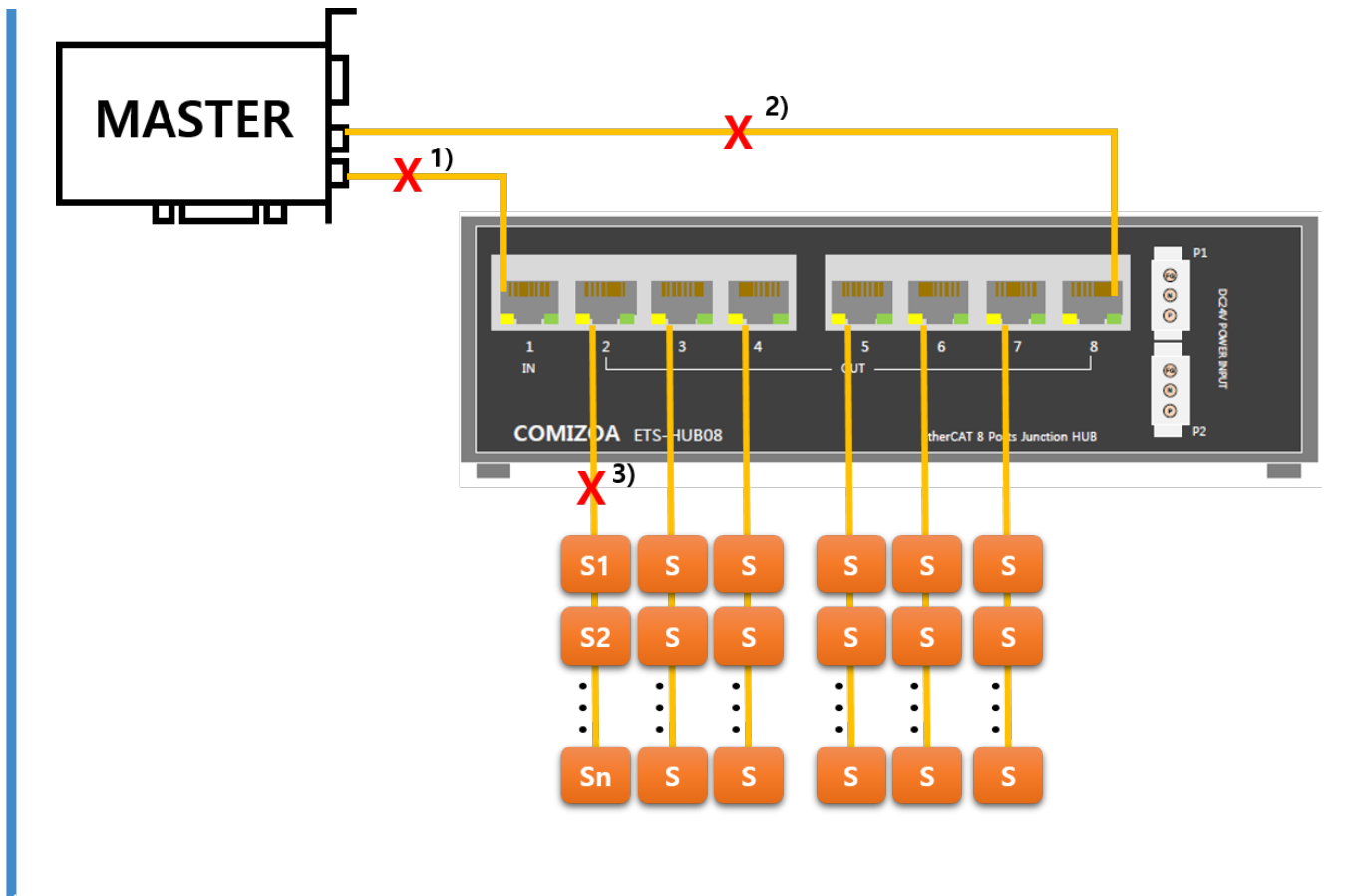
( ) + ..... 1  
+ ..... 1

( ) +

x Master Device



- Ring Topology Hub 가
- Hub Tree 가



- 1), 2)
- 3)

, S1 ~ Sn Disconnect .

From:  
<http://comizoa.com/info/> - -

Permanent link:  
[http://comizoa.com/info/doku.php?id=platform:ethercat:1\\_setup:05\\_topology:40\\_ringtree&rev=1608095716](http://comizoa.com/info/doku.php?id=platform:ethercat:1_setup:05_topology:40_ringtree&rev=1608095716)

Last update: 2024/07/08 18:22