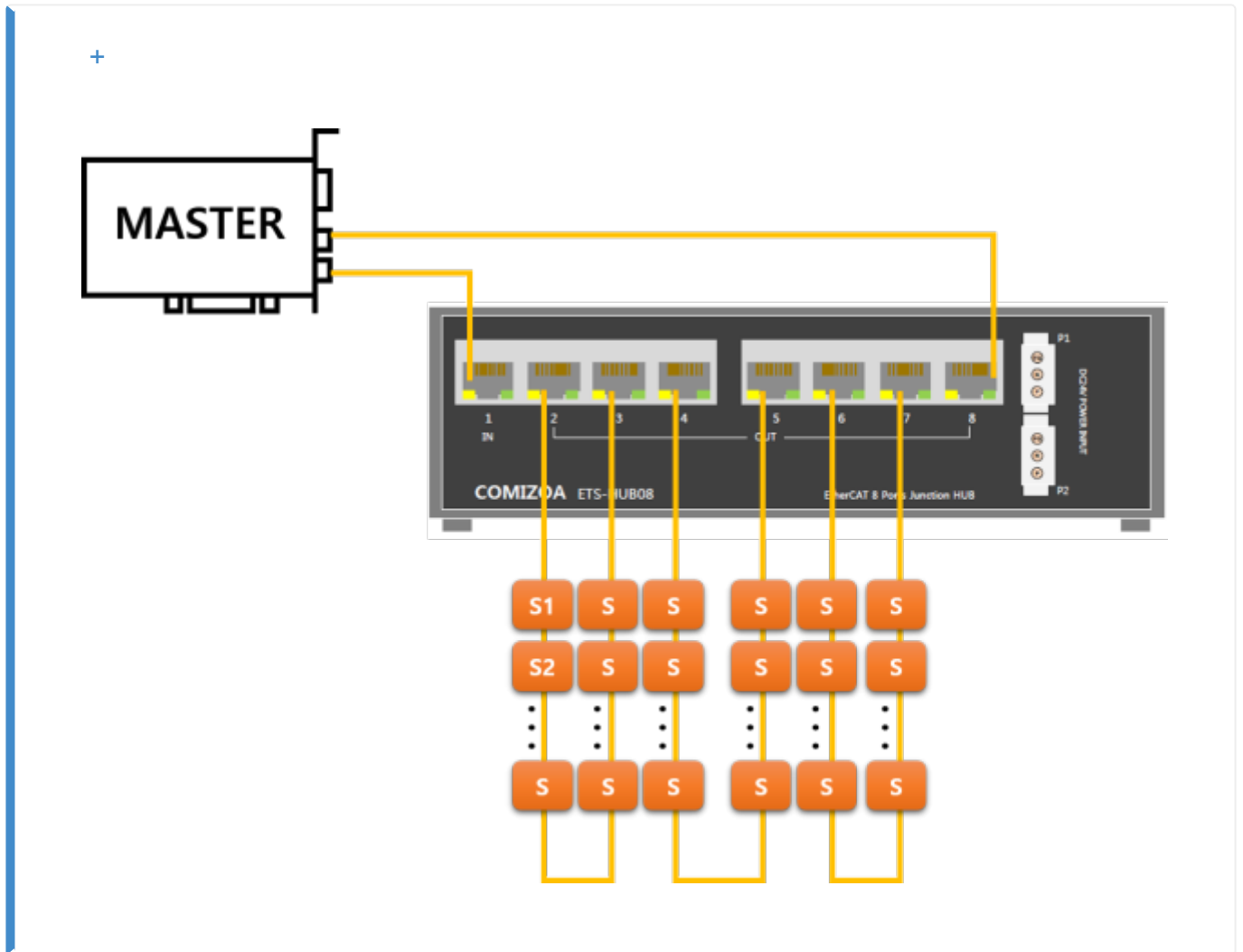


+ ..... 1  
+ ..... 1

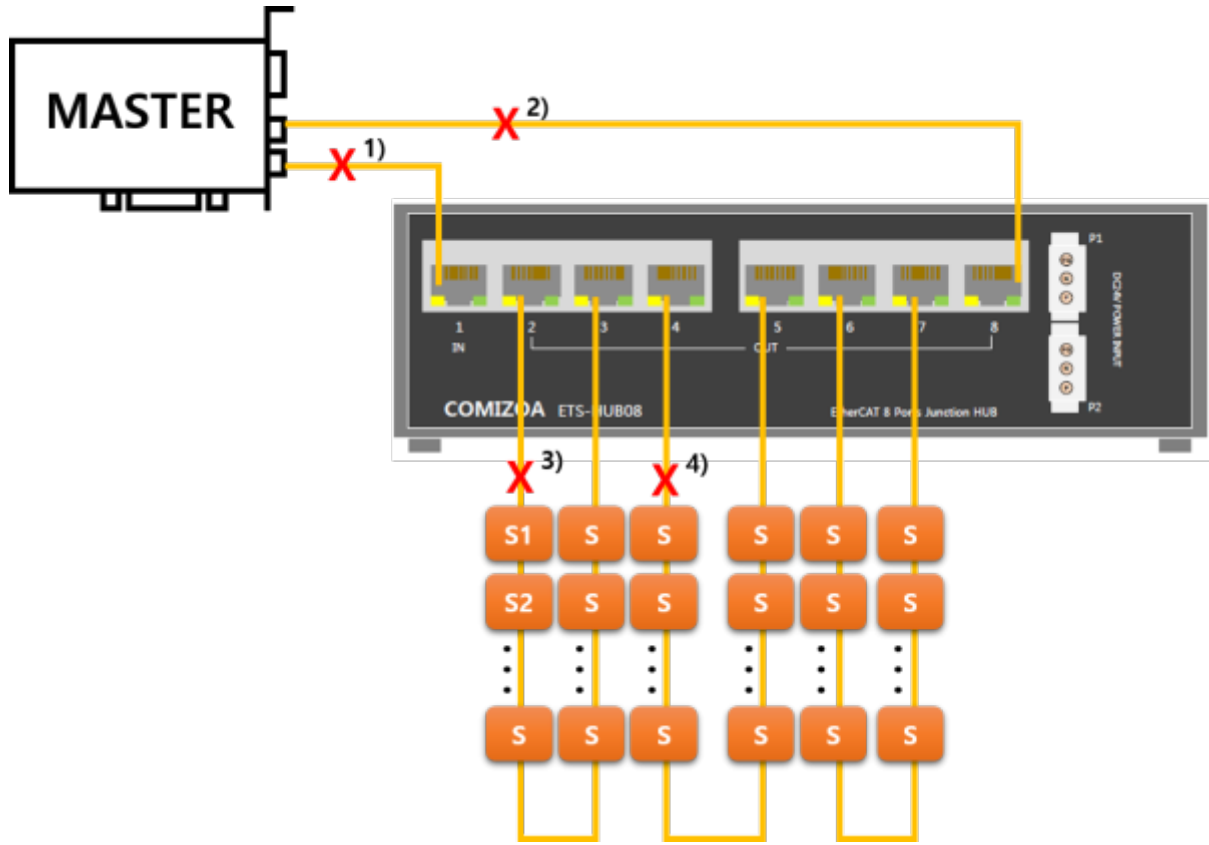
+

x Master Device



• Master Hub

, Hub



- 1) 2) 3) 4)

x 2 , \*\* Disconnect  
 . \* , Master Data가 .

From:  
<http://comizoa.com/info/> - -

Permanent link:  
[http://comizoa.com/info/doku.php?id=platform:ethercat:1\\_setup:05\\_topology:60\\_ring\\_ring&rev=1608097333](http://comizoa.com/info/doku.php?id=platform:ethercat:1_setup:05_topology:60_ring_ring&rev=1608097333)

Last update: 2024/07/08 18:22