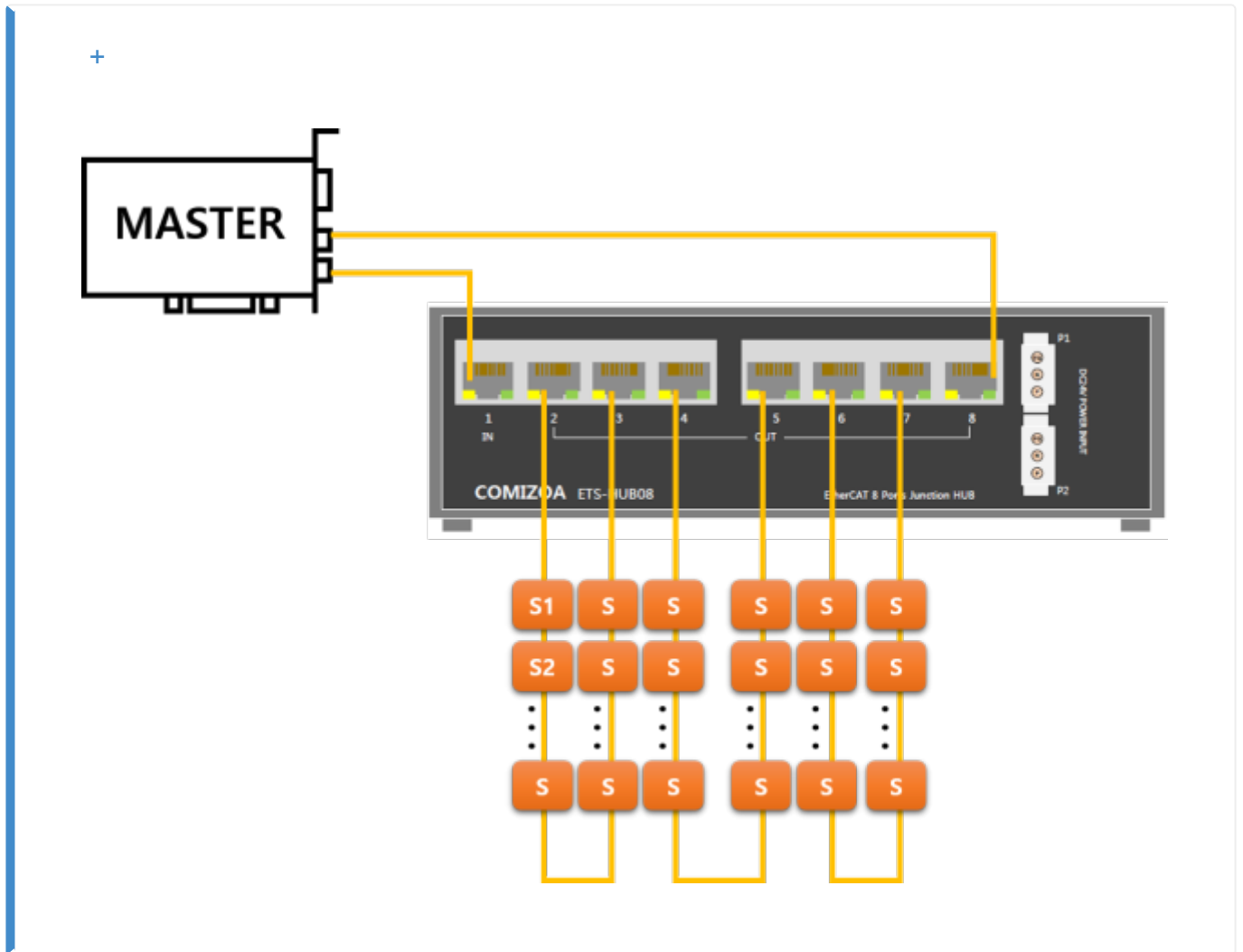


+ 1
+ 1

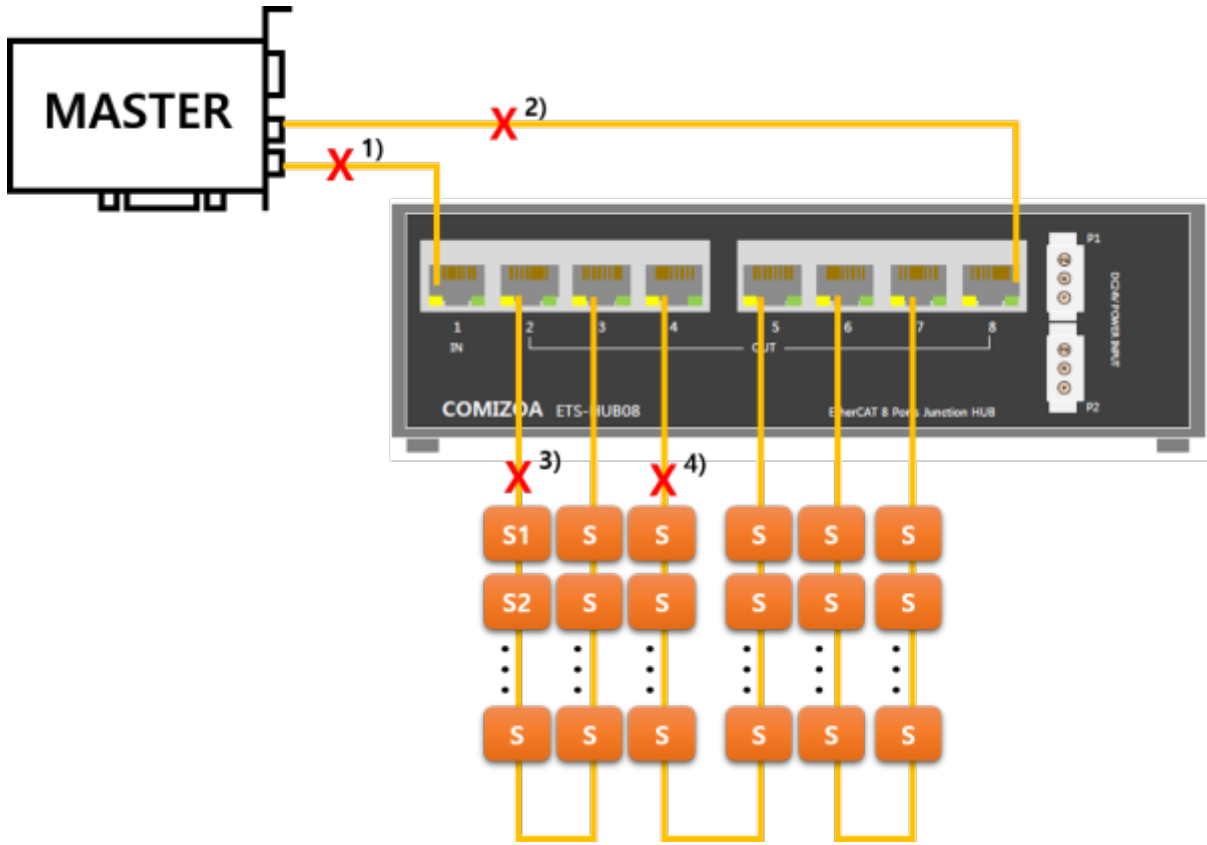
+

x Master Device

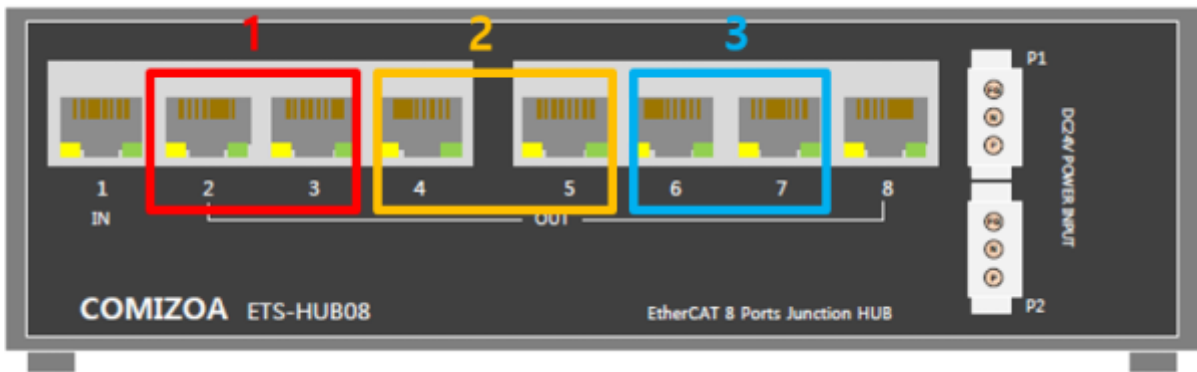


• Master Hub

, Hub



- 1) 2) 3) 4)



- HUB , IN / OUT
 - 2 3
 - 4 5
 - 6 7
- - 1 , 2 3 가

x	2	,	Disconnect
x		, Master	Data가
	가	,	가

From:

<http://comizoa.com/info/> - -

Permanent link:

http://comizoa.com/info/doku.php?id=platform:ethercat:1_setup:05_topology:60_ring_ring&rev=1608097935

Last update: **2024/07/08 18:22**