

SD	1
+DR & -DR	4
PA/PB	6
LTC	7
CLR	8

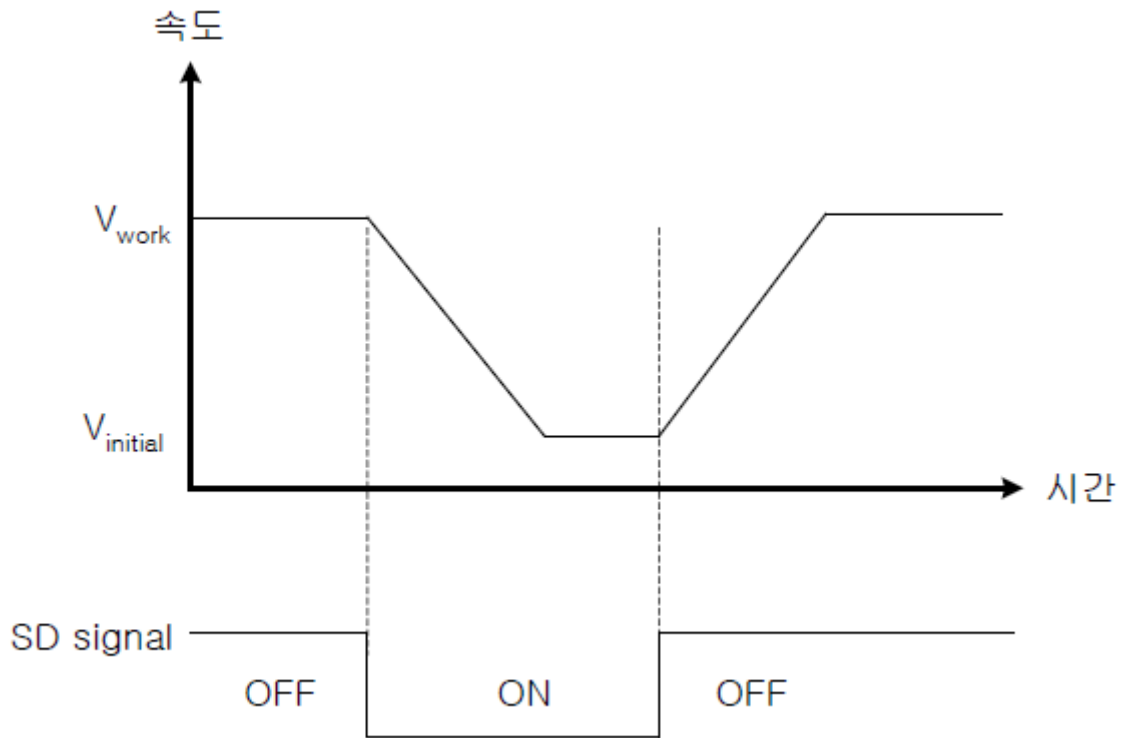
x

SD

- SD (Start of Deceleration)
- 가 Constant speed mode , Trapezoidal S-curve
- SD Enable , SD 가 ON
- SD 가 OFF SD

Deceleration [SD_MODE=0, SD_LATCH=0]

- SD 가 ON 가 (Vinitial)
- SD 가 OFF (Vwork) 가

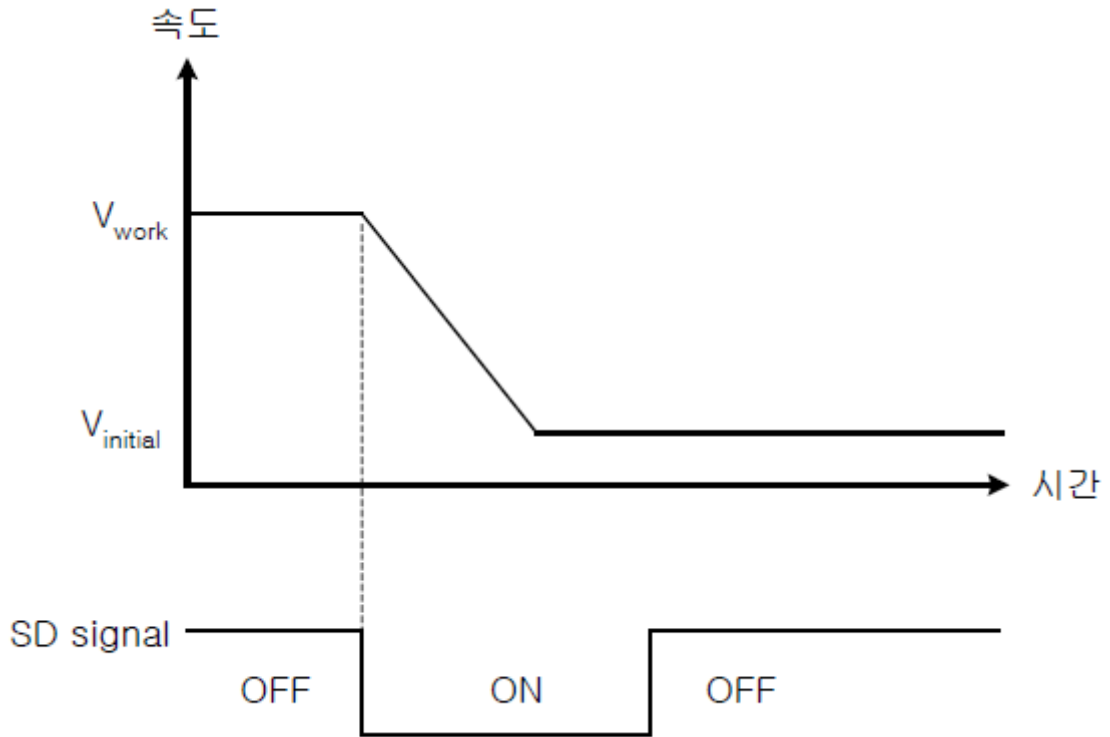


Latch and Deceleration [SD_MODE=0, SD_LATCH=1]

- Trapezoidal S-Curve SD 가 ON 가

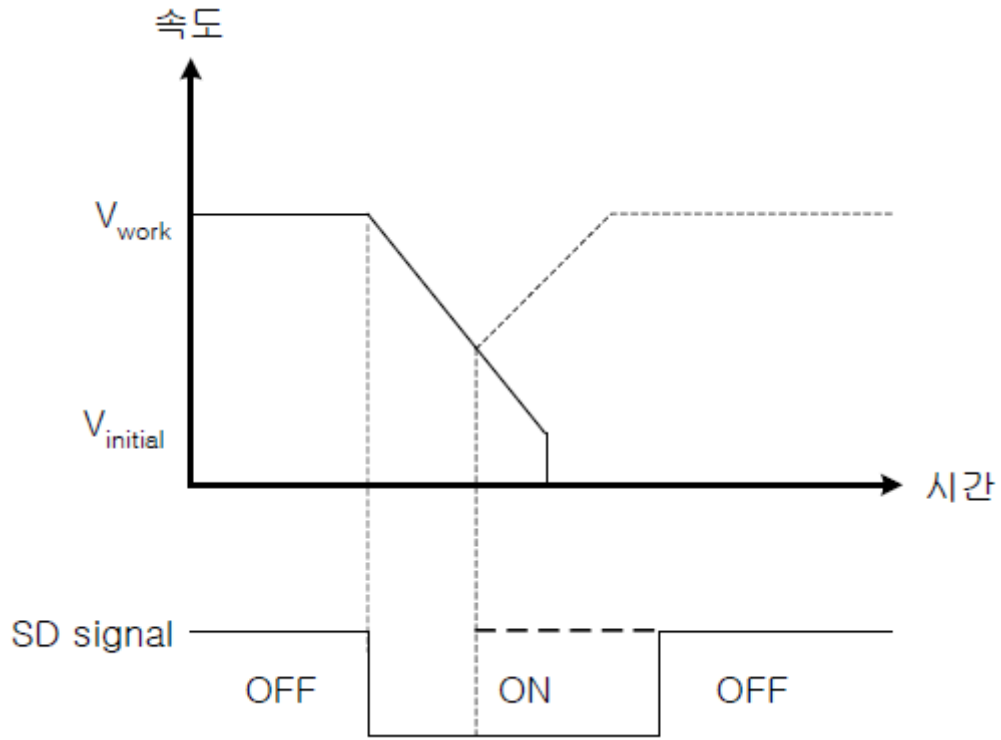
(Vinitial)

- SD 가 Latch SD 가 OFF 가



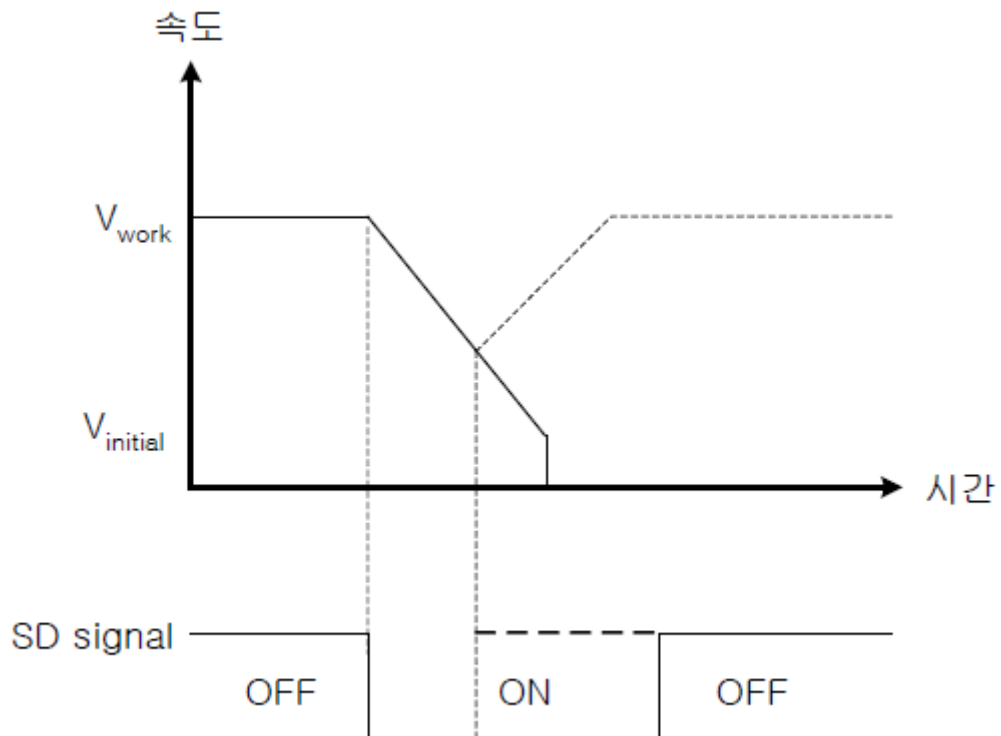
Stop after Deceleration [SD_MODE=1, SD_LATCH=0]

- Trapezoidal S-Curve (Vinitial) SD 가 ON 가
- , 가 SD 가 OFF 가

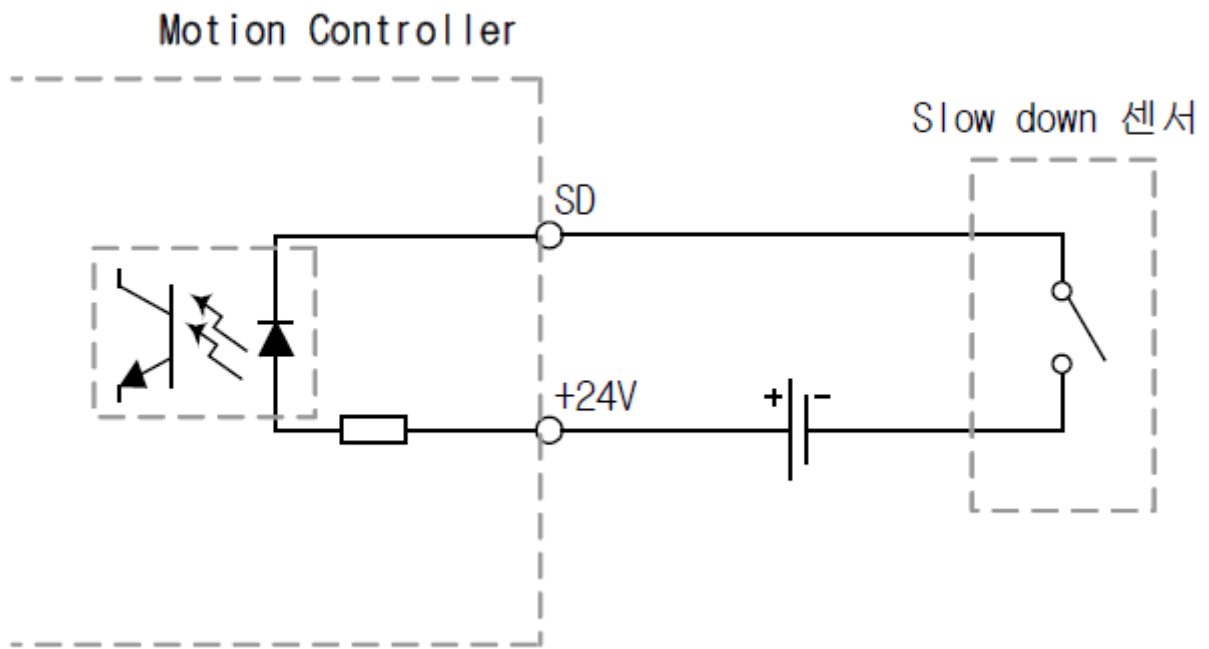


Latch and Stop after Deceleration [SD_MODE=1, SD_LATCH=1]

- Trapezoidal S-Curve 가 (V_{initial}) SD 가 ON
- SD_LATCH가 1 가 SD ON 가 Latch SD 가 OFF

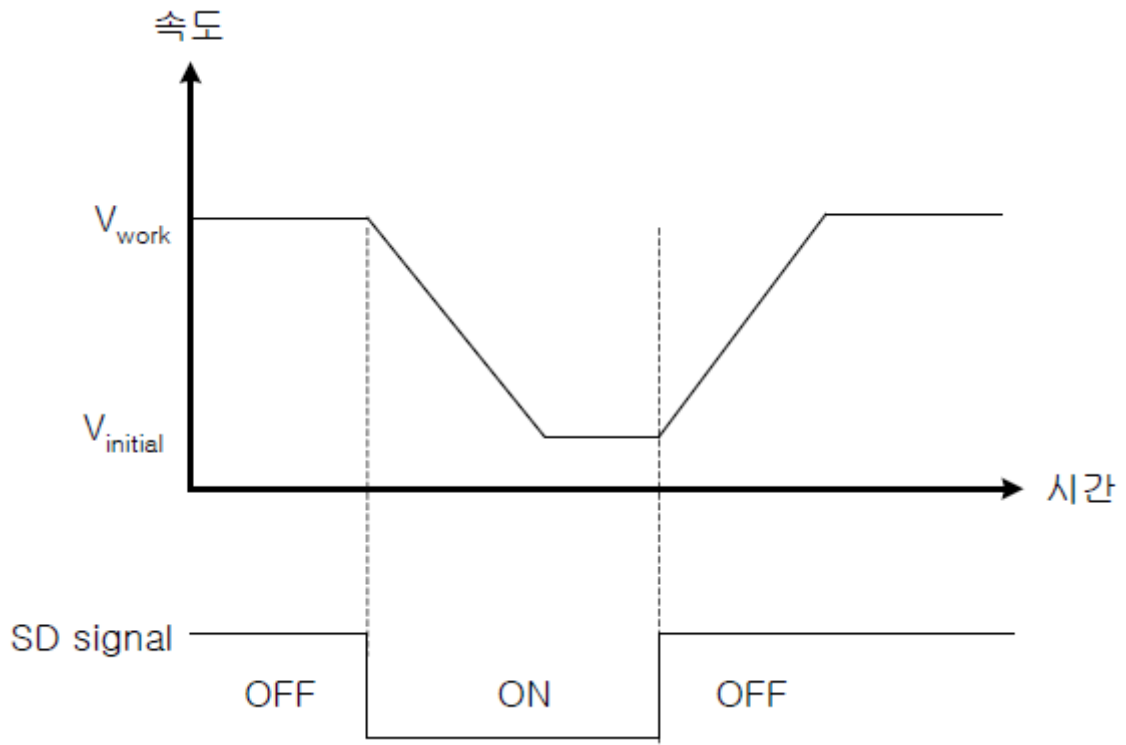


- SD

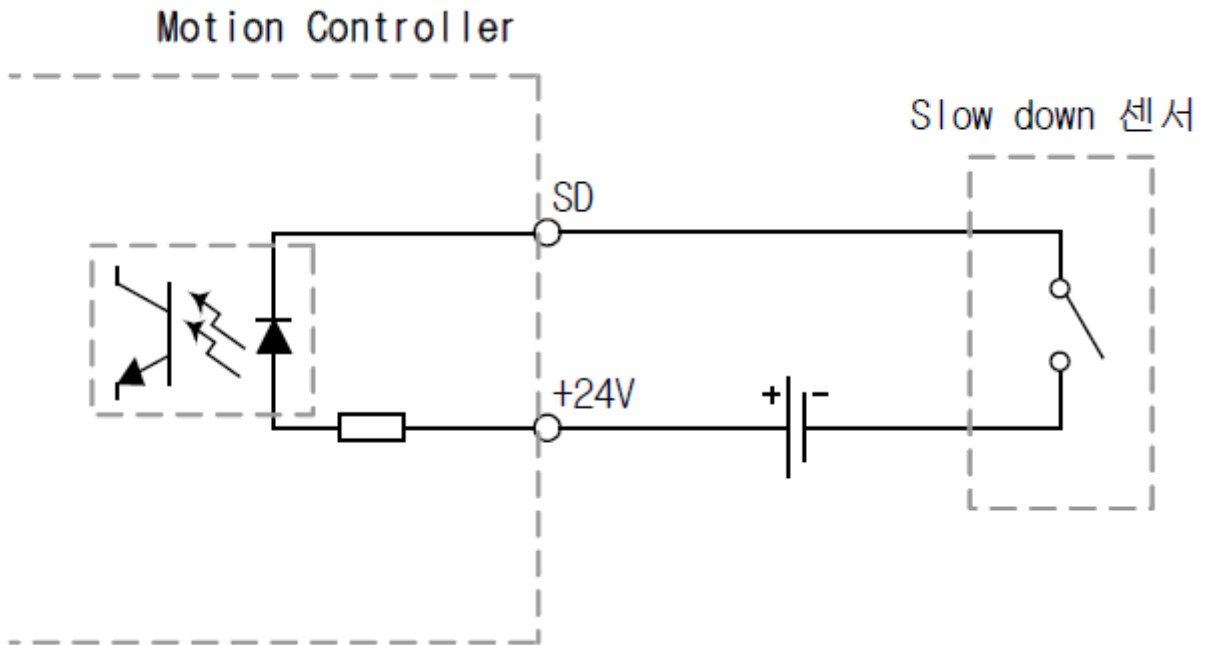


+DR & -DR

- +DR, -DR (External Switch Operation)
- cmmExVMoveStart, cmmExMoveStart, cmmExMoveToStart
+DR, -DR
- +DR -DR
- +DR -DR



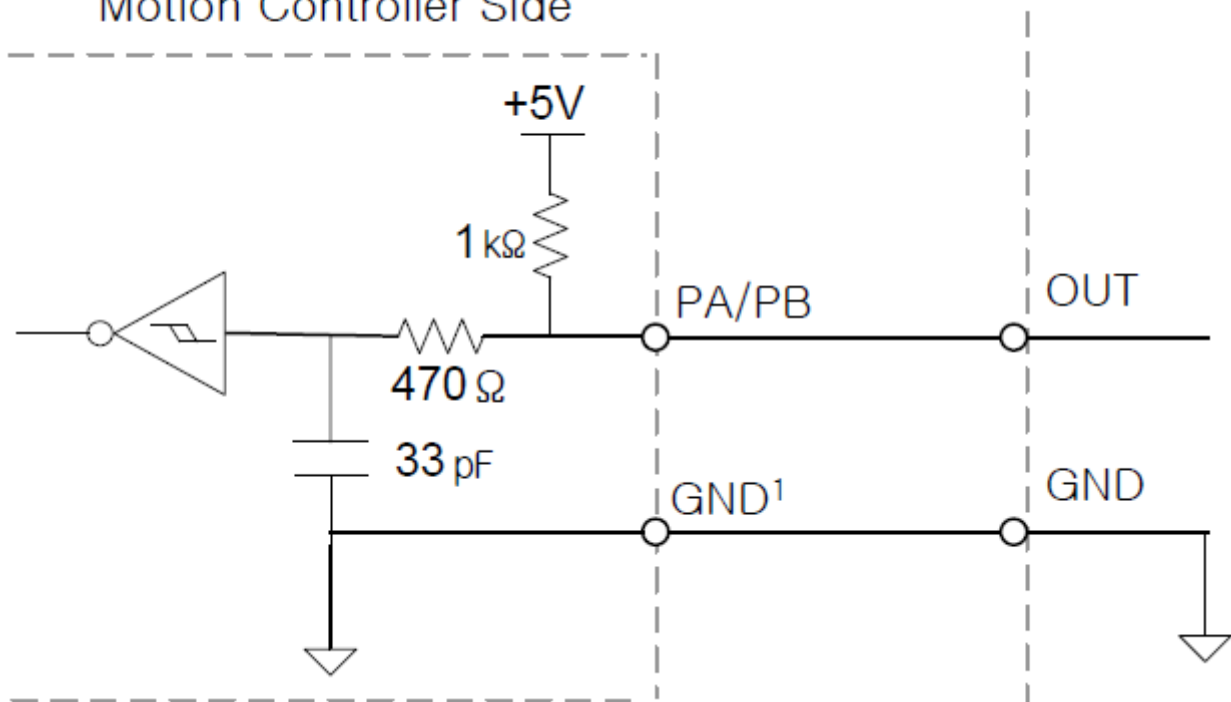
- +DR -DR



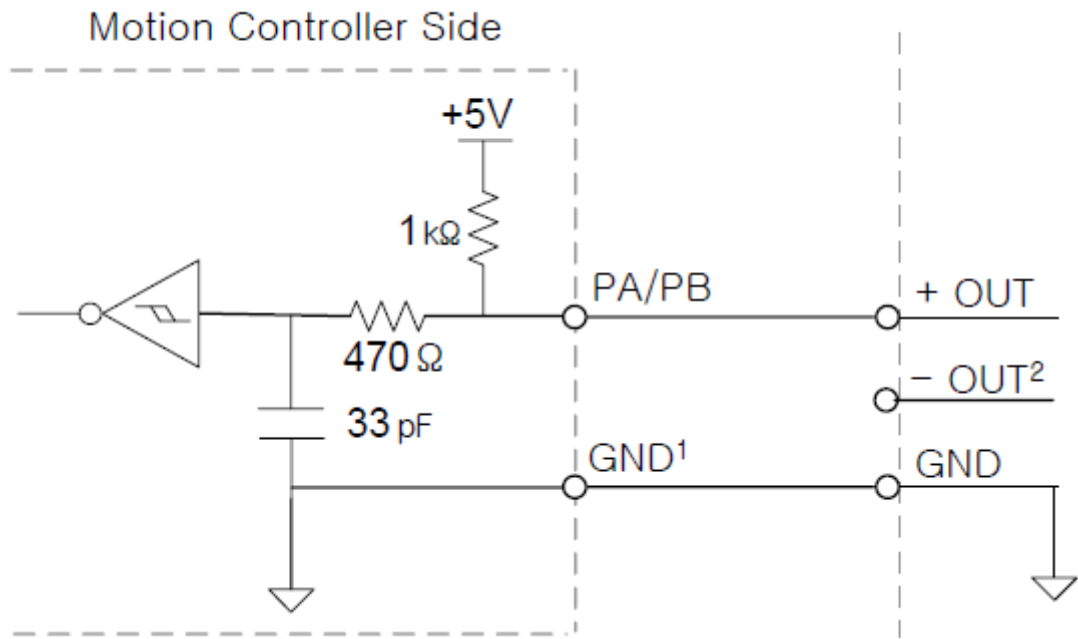
PA/PB

- PA, PB (Manual Pulsar)
-
- External switch operation(+DR, -DR)
 , Manual Pulsar
-
- MASTER/SLAVE PA, PB SLAVE PA, PB
- [10.1 Manual Pulsar (PA/PB)]
- PA, PB TTL
 - TTL
 - GND PC Ground

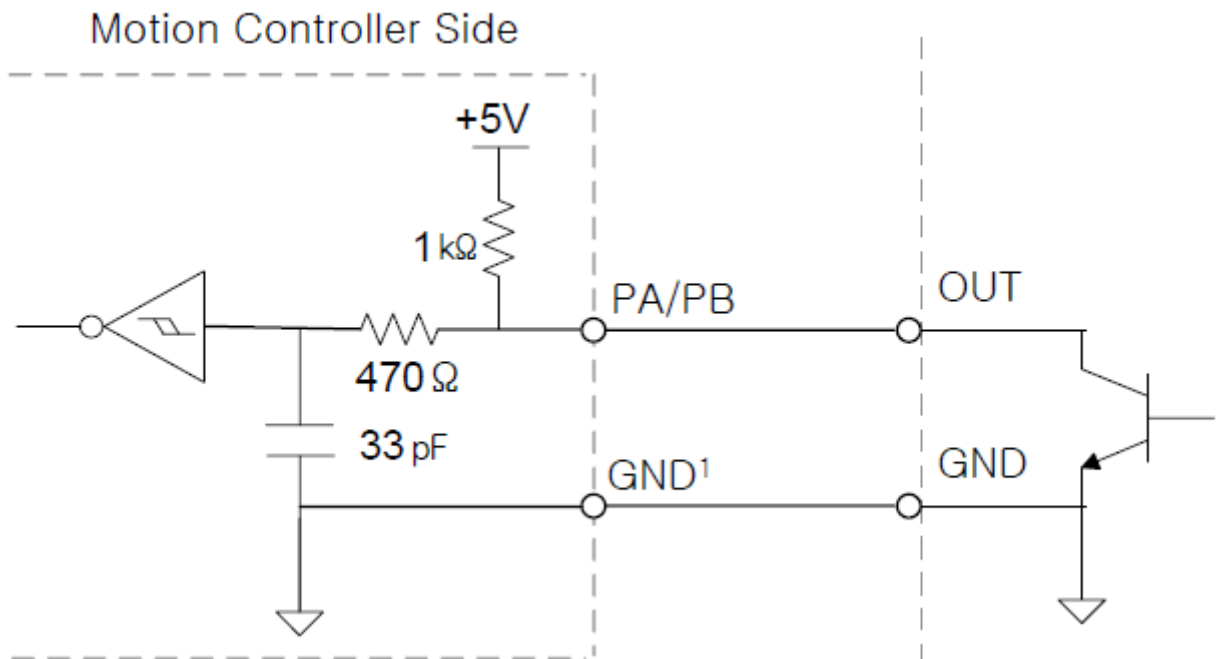
Motion Controller Side



- - GND PC Ground
 - (-)



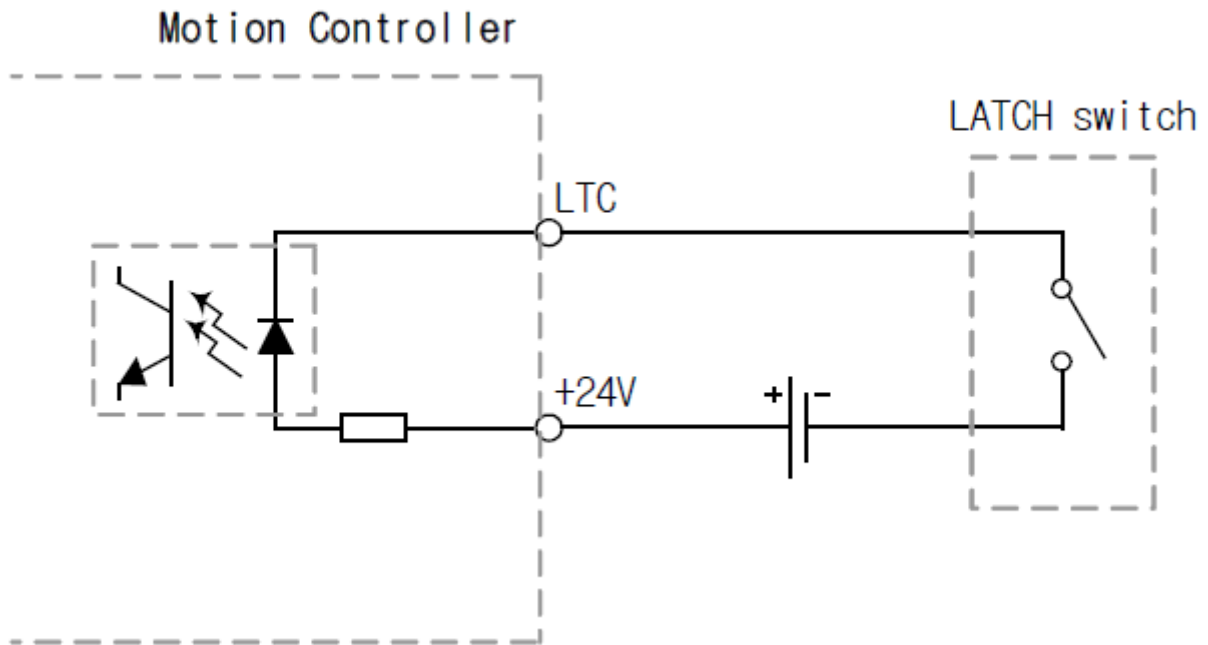
- OpenCollector
 - GND PC Ground



- LTC (Latch)

- LTC Falling Edge Rising Edge

- LTC



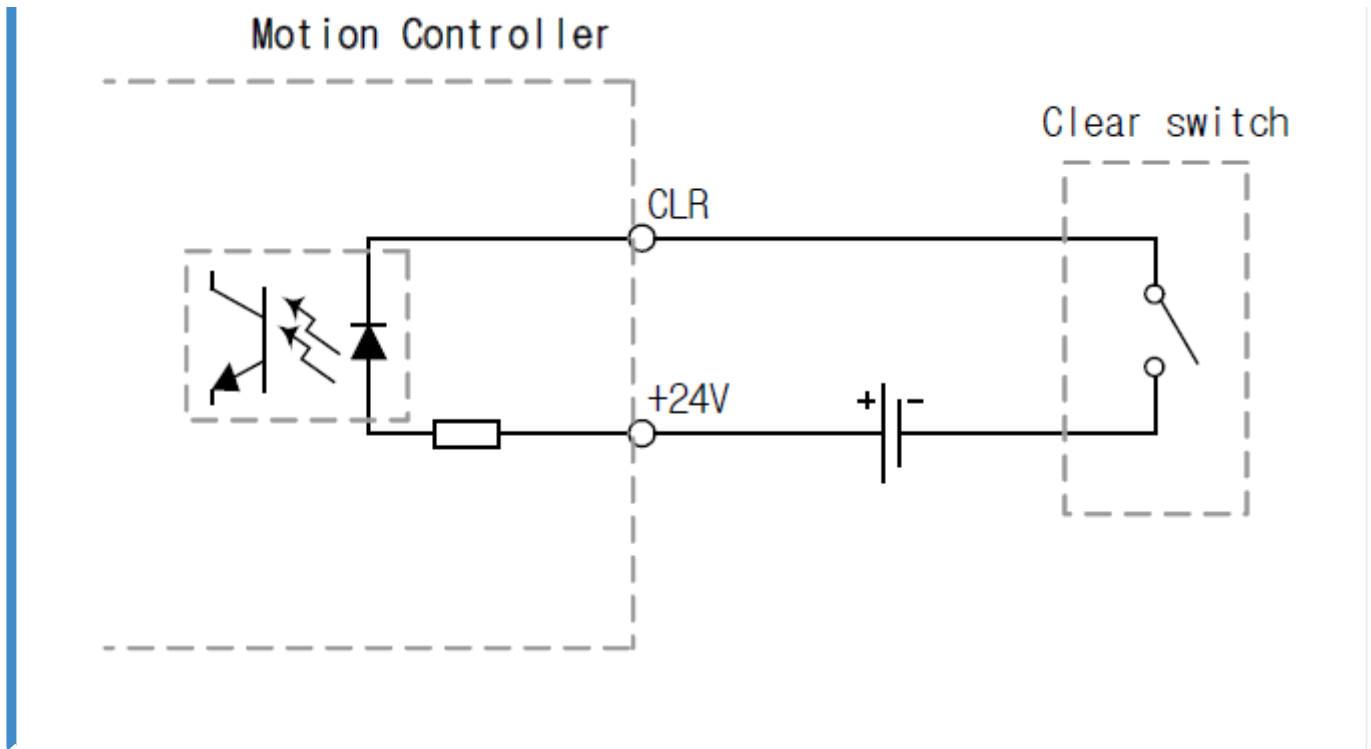
CLR

- CLR (Counter Clear)

- Command Position Counter, Actual Position Counter, Deviation Counter General Counter 4

- 가 CLR , CLR

- CLR



From:

<http://comizoa.co.kr/info/> - -

Permanent link:

http://comizoa.co.kr/info/doku.php?id=platform:pulse:info:interface:motioncontrol_signal

Last update: **2024/07/08 18:23**