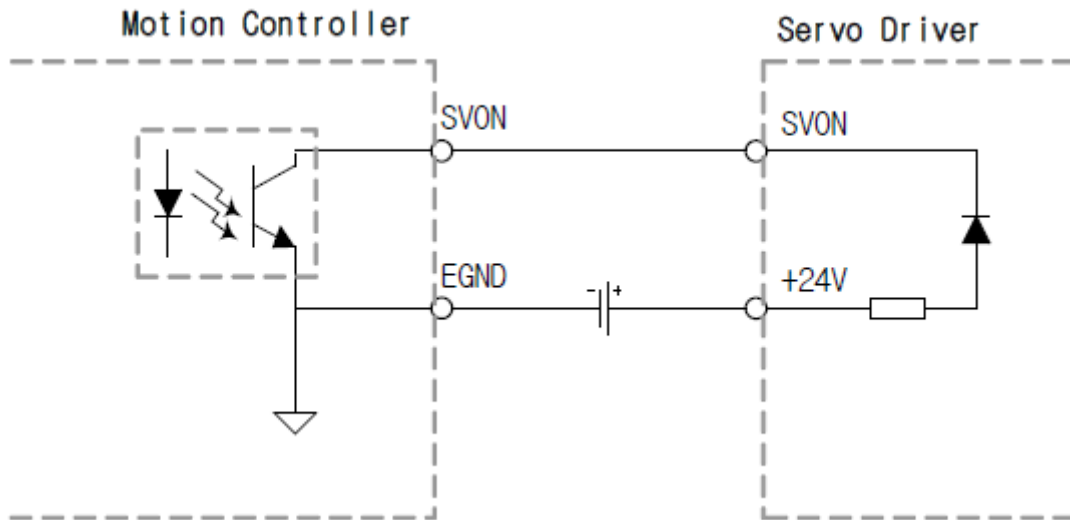


SVON (Servo-On)	1
RDY (Ready)	1
ALM (ALARM)	2
INP (In-position)	3
ERC ()	4

x

SVON (Servo-On)

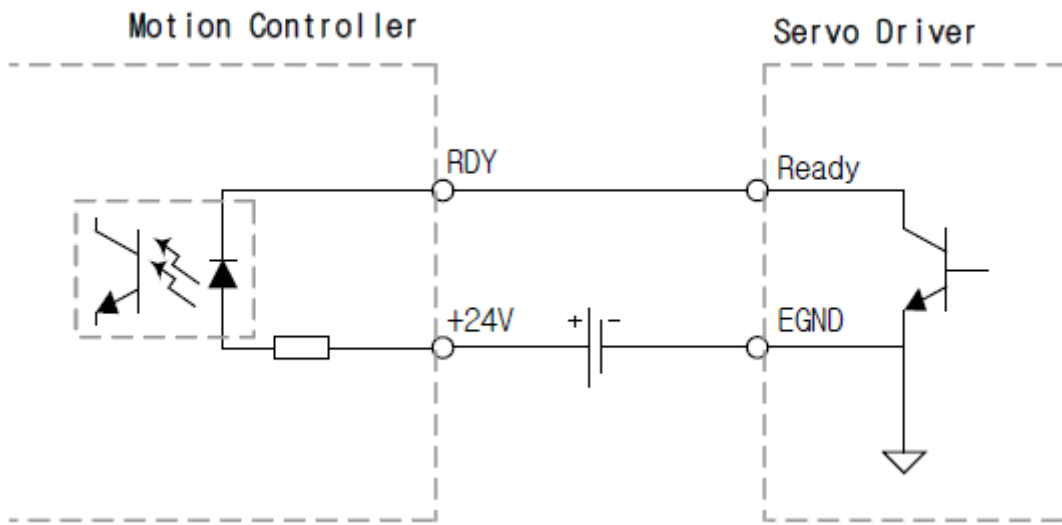
- ON/OFF
SERVO-ON
- `cmmGnSetServoOn()` SERVO ON/OFF
SERVO-ON
- SVON



RDY (Ready)

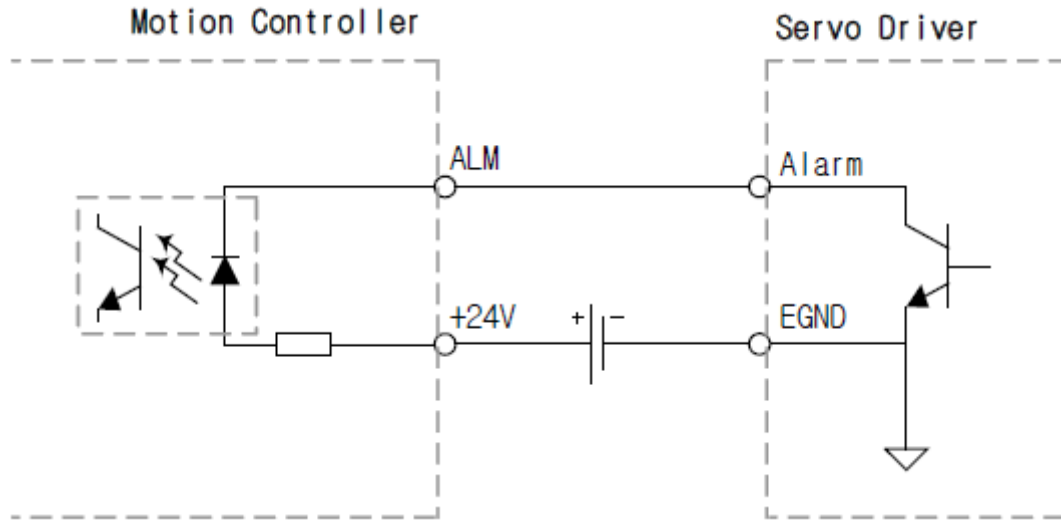
- RDY 가 SERVON-ON 가
- 가 SERVO-ON
- `cmmStReadMioStatuses()` BIT0 RDY

- RDY



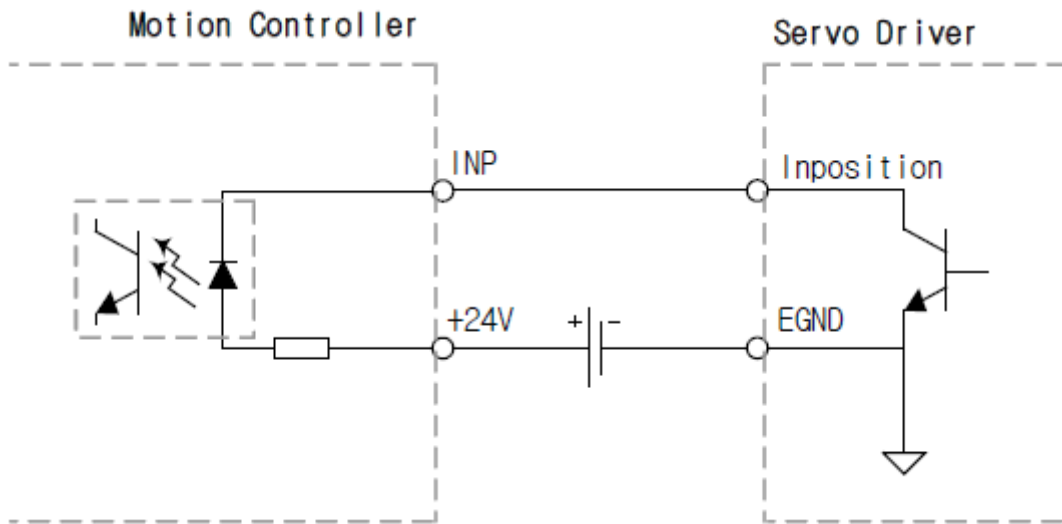
ALM (ALARM)

- ALM ALARM
- ALM 가 ON
- ALM ALM (,)
- ALM Application
cmmCfgSetMioProperty
- ALM 가 ON , B
ALM (Normal Close) ALM
- ALM ALM B ALM
GND



INP (In-position)

- INP (Deviation counter) Inposition-range ,
- 가 가
- 1) 0 0
- INP Inposition-range ON
OFF가
- Inposition-range MITSUBISHI
Param No.5 "In-position range"



- COMMAND
- INP (Enable) COMMAND
- INP INP 가 ON INP 가 ON INP
- INP / Application cmmCfgSetMioProperty

ERC ()

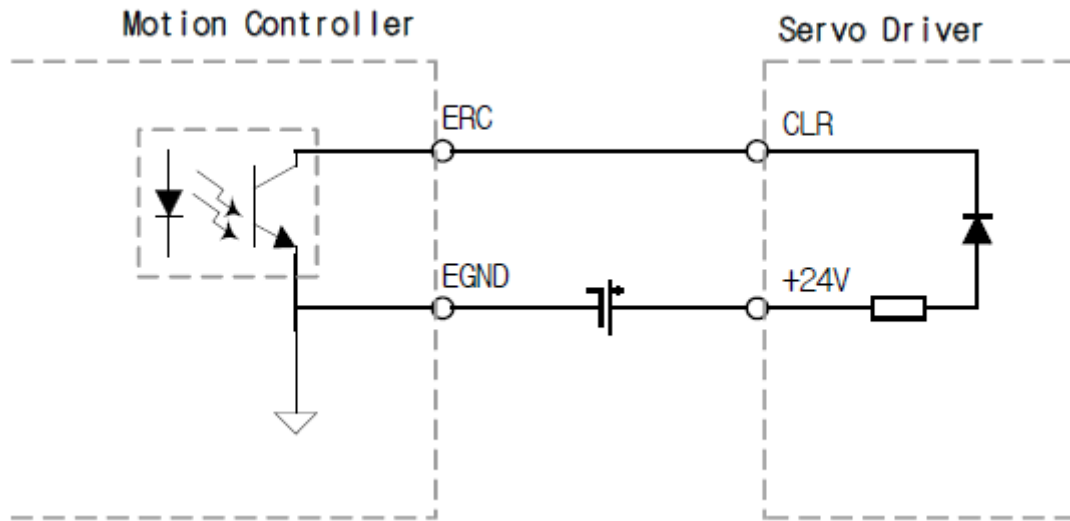
- (Deviation counter)
- 0 COMMAND
- ERC 0 COMMAND 가
- ERC ALM 가 ON -EL, +EL, ALM
- EL ALM 가 “ ” , -/+EL ALM
- ERC 가
- ERC 가 (Tuning)

ERC

, ERC

- ERC

Application



- 1)
- (Deviation counter)
 - (Command pulse)
 - (Feedback pulse)

From:
<http://comizoa.com/info/> - -

Permanent link:
http://comizoa.com/info/doku.php?id=platform:pulse:info:interface:servo_signal&rev=1547188046

Last update: **2024/07/08 18:22**