

# ETS Hardware Reference Manual



32CHANNEL DIGITAL NPN TYPE INPUT MODULE

ETS-DI32N-M (v1.00)

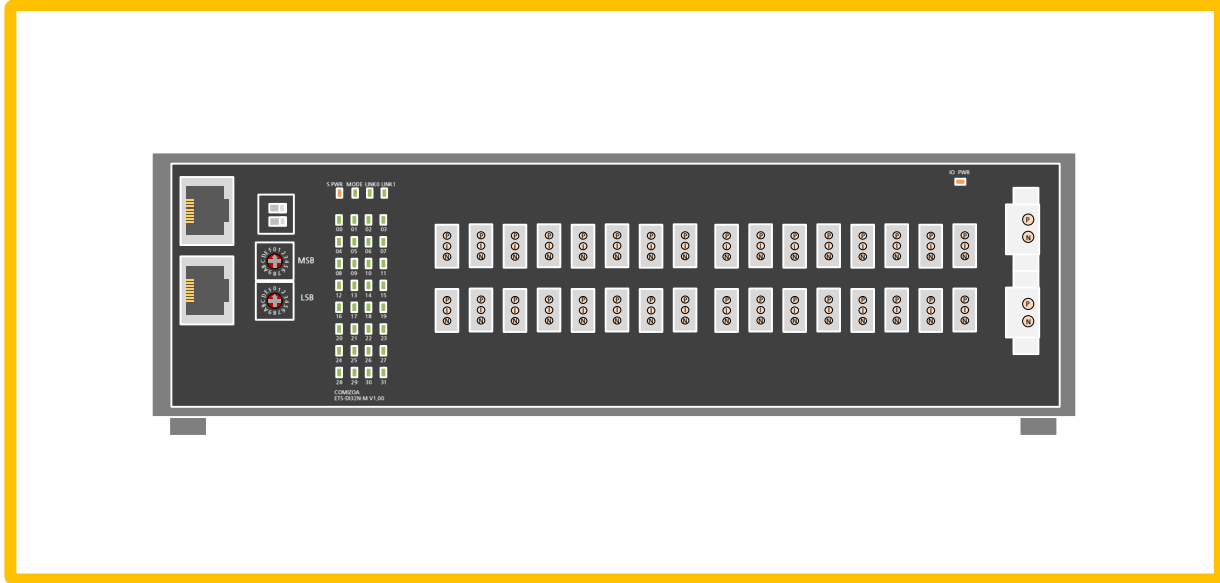
OCT 2017  
©2017 COMIZOA, All rights reserved

---

## Table Of Contents

1	개요 .....	1
2	Specification .....	2
3	Block diagram .....	3
4	Circuit diagram .....	3
5	Interface Connect .....	4
6	Device ID Setting .....	4
7	Connector .....	5
8	Status LED .....	6

## 개요



ETS - DI32N - M (Digital NPN Input 32ch)

ETS-DI32N-M는 커미조아의 EtherCAT 기반 제어기의 32채널 Digital 입력 모듈입니다.

각 채널의 내부 제어신호와 외부 입출력 신호는 포토커플러를 사용하여 절연됩니다.

본 매뉴얼은 ETS-DI32N-M의 하드웨어 구성과 기능에 대해 설명하는 하드웨어 매뉴얼입니다.

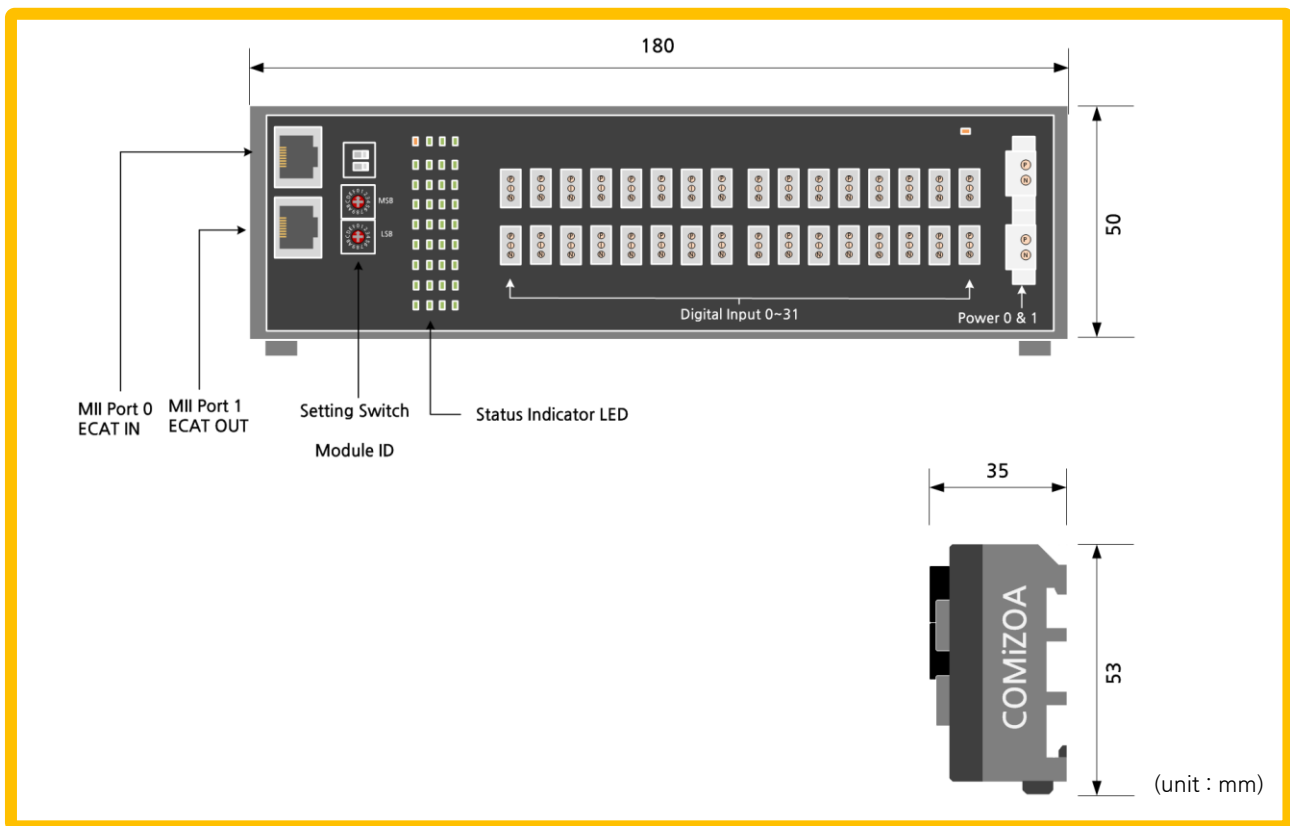
- EtherCAT Slave Module
- CiA Standard 401 and ETG.5001 Modular Device Profile
- Supports Terminal Device ID
- Digital I/O Power Over Current Protection
- Digital Input 32(NPN)
- Independent System Power

**Specification**

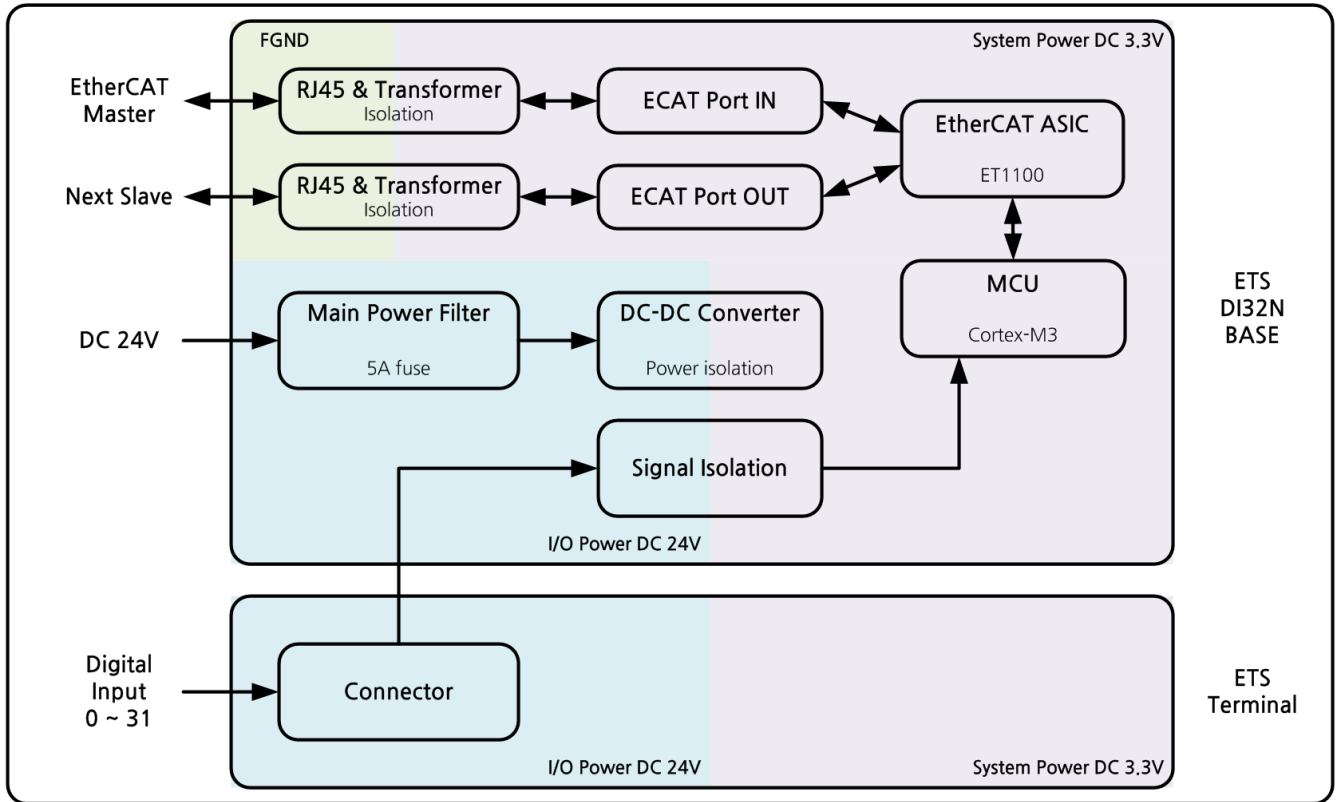
Contents	Details
Dimension	180 * 53 * 35 (mm)
Operating Temperature	0°C ~ 50°C
Storage Temperature	-20°C ~ 80°C
Humidity	5% ~ 90%, non-condensing
Power consumption	System Power : 47mA @ DC 24V ± 5% I/O Power : 180mA @ DC 24V ± 5%

**Environmental Specification**

Contents	Details
Number of Inputs	32 Input
Input type	Current Sinking type ( NPN )
Isolation	Photo-coupler ( $V_{iso} = 3,000V_{rms}$ )
OFF State Voltage (logic ' 1')	Min. 11V DC ~ Max. 28.8 V DC (EN 61131-2, type 1/3)
On State Voltage (logic ' 0')	Min. 0V DC ~ Max. 5V DC (EN 61131-2, type 1/3)
Input Current	Max. 4.56mA per @ 24V DC
Input Impedance	Approx. 5K $\Omega$ ( ±5% )
Wiring Contact	I/O : 5264-03(3-Pin Molex) / Power : USL-3FBS-2P

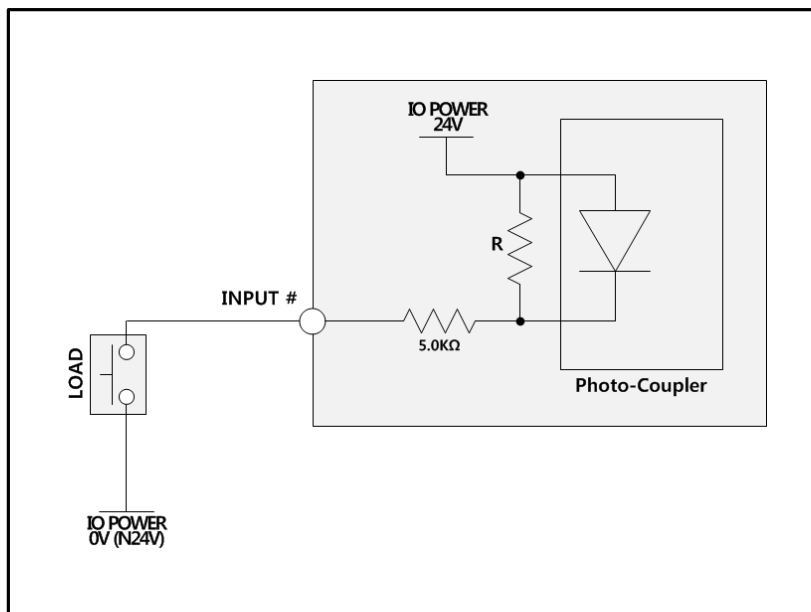
**Digital Input Specification**

**Dimension**

Block Diagram

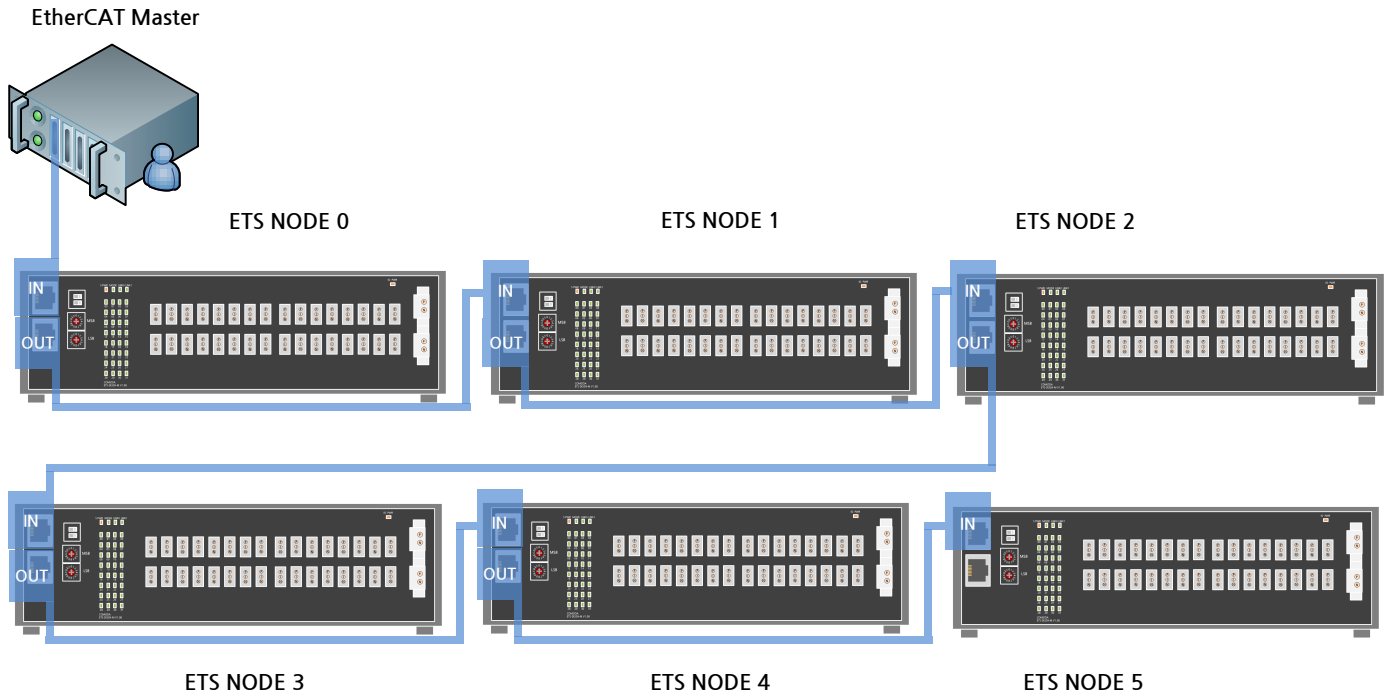


ETS-DI32N-M Block diagram

Circuit Diagram (Digital Input)



Interface Connect

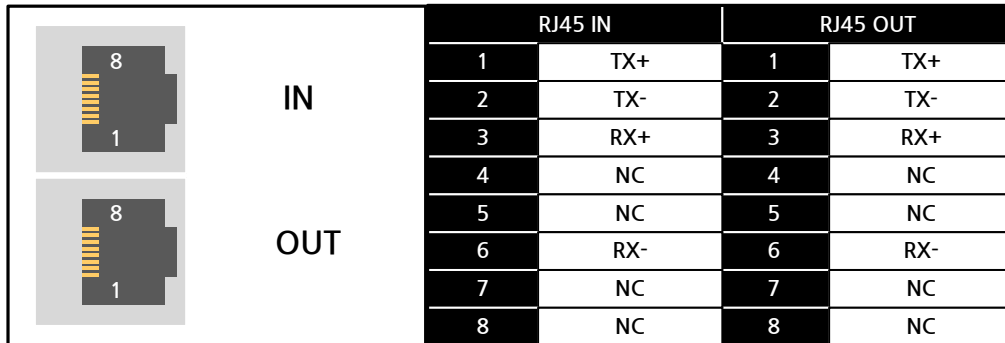


Device ID Setting

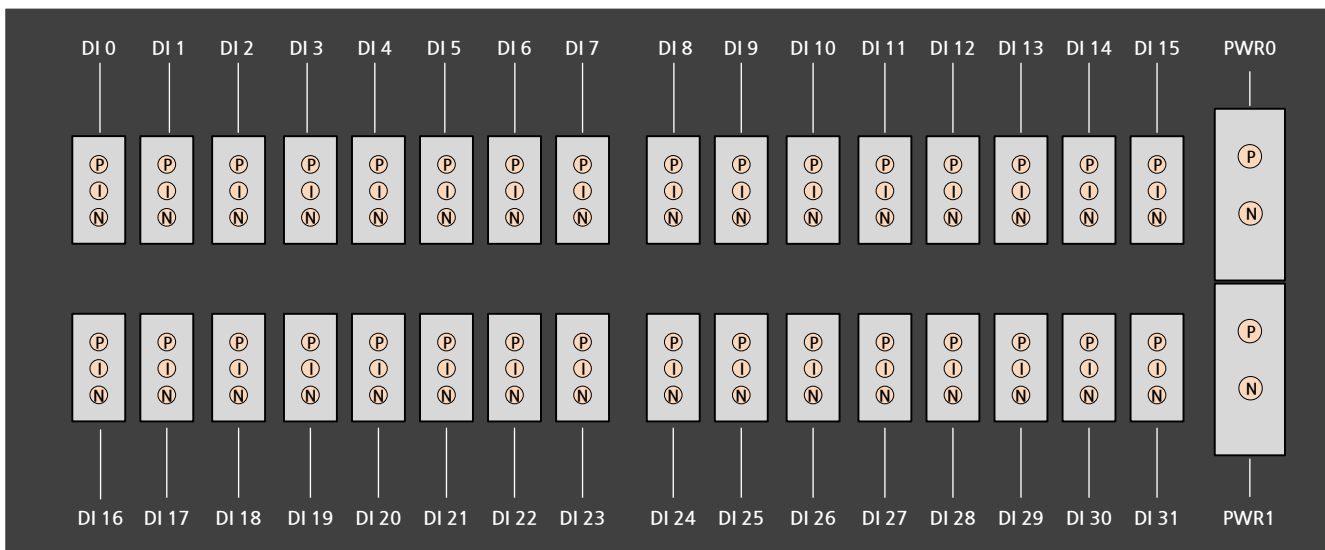
	NODE ID setting	$I.P = MSB * 16 + LSB$
	NODE ID range	1 ~ 256

Connector

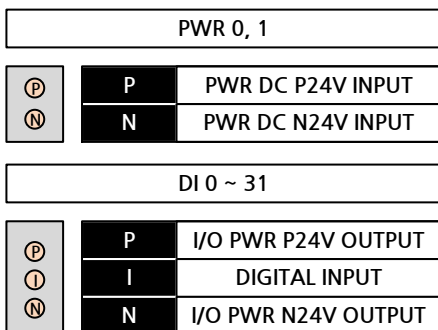
■ RJ45 Connector



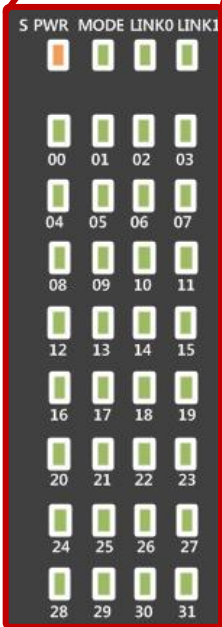
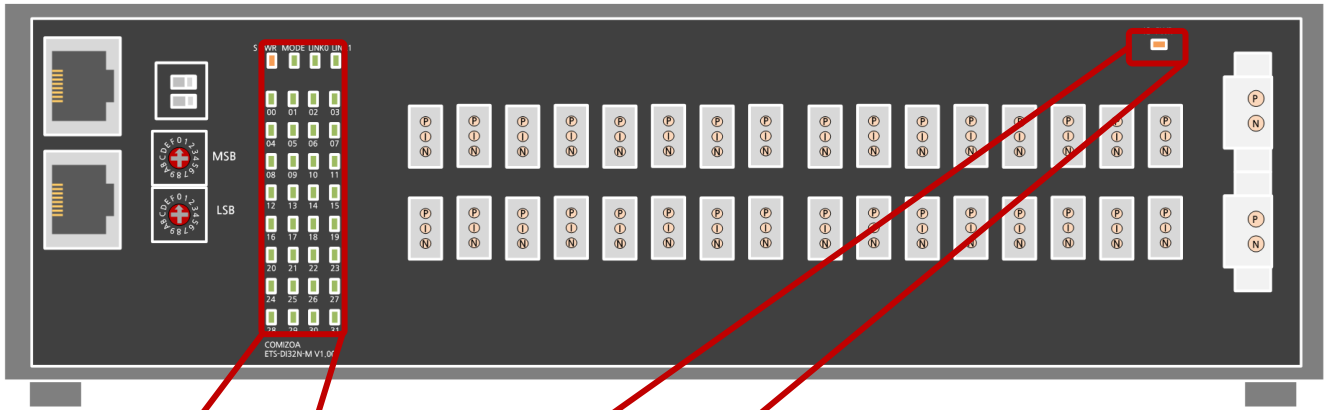
■ Contact Number



■ PIN MAP



Status LED



IO PWR	I/O POWER LED	ON	DIGITAL I/O POWER(24V DC) ON
		OFF	DIGITAL I/O POWER(24V DC) OFF
S PWR	SYSTEM POWER LED	ON	SYSTEM POWER(3.3V DC) ON
		OFF	SYSTEM POWER(3.3V DC) OFF
MODE	EtherCAT AL STATE LED	OFF	INIT
		Blinking(slow)	PRE-OP
		Single Flash	SAFE-OP
		ON	OP
LINK 0(1)	LINK 0(1) STATE LED	Flickering(fast)	BOOTSTRAP
		Blinking(slow)	MII Port 0(1) OPEN
		OFF	MII Port 0(1) Closed
DI 0-31	INPUT STATE LED	ON	INPUT ON STATE (LOGIC ' 1')
		OFF	INPUT OFF STATE (LOGIC ' 0')



## Hardware Reference Manual Update List

No.	Version	Date	Changes in
1	1.00	2016.04.01	First Edition
2	1.01	2017.10.24	RJ-45 Connector Update

# ETS Reference Manual

Copyright holder : COMIZOA CO.,LTD  
Copyright (c) by COMIZOA CO.,LTD. All right reserved.  
2017. 10. 24.



COMIZOA CO.,LTD  
<http://www.comizoa.com>  
Tel) +82 - 42 - 936 - 6500  
Fax) +82 - 42 - 936 - 6507

All the details including figures and programs included in this manual is protected by Korean Copyright.  
Any parts of this manual can be copied or distributed without COMIZOA's permission.